

RITCHIE® NAVIGATION

2014 Catalog of Precision Crafted Compasses



RITCHIE®

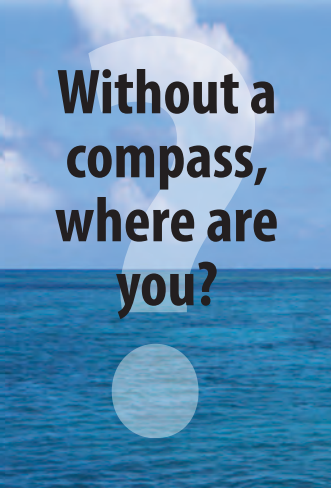
Navigation begins with the right compass.

We're Committed To Quality

Since 1850, Ritchie has been making only one thing – compasses. Which means every ounce of our time and energy goes into precision-crafting the highest quality product available. When you've invested so much in your boat, that kind of commitment makes all the difference.

Table of Contents

Why you need a Ritchie.....	pg 3
Anatomy of a Compass.....	pg 4
Compass Selection and Installation.....	pg 5
Compass Dial Designs.....	pg 5
Navy Standard Compasses.....	pg 6
RitchieSport® Compasses.....	pg 7
Ritchie Trek™ Compasses.....	pgs 8,9
Explorer™ Compasses.....	pgs 8,9,10,11,12
Voyager® Compasses.....	pgs 12,13,14
Helmman™ Compasses.....	pgs 15,16
Venture® Compass.....	pgs 16
Navigator™ Compasses.....	pgs 17,18
SuperSport™ Compasses.....	pgs 18,19,20
Small Sailboat Compasses.....	pg 20
Fishing Boat Compasses.....	pg 21
Kayak Compasses and Accessories.....	pg 22
Globemaster® Compasses.....	pgs 23,24,25
Skylight Binnacles for Globemaster®.....	pg 26
Super Yacht Compasses.....	pg 27
Steel and Commercial Boat Compasses.....	pgs 28,29
Globemaster® Shock Mount Compasses.....	pg 30
Authorized Service Locations.....	pgs 31,32



**Without a
compass,
where are
you?**

Lost?

Only a compass can give you true real-time heading. There's no lag-time when you turn. No loss of accuracy as you slow down. And your heading is never off by several degrees. Which means you won't have to overcompensate, zigging and zagging, wasting time and gas when you could have just gone straight.

The best of both worlds...

GPS and Ritchie – Working Together

One way to achieve optimal performance and safety with your Ritchie compass is by using your electronic and magnetic navigation data together. By doing this, you get the best of both worlds. Your GPS informs you of your boat's position and calculates the speed and direction in which your boat has been traveling, while your compass tells you your real-time heading. Wind, current and boat speed can all create a discrepancy between what your GPS says and what's really happening. *And that's where a Ritchie compass comes in.*

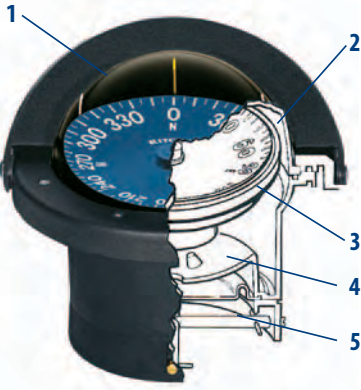


*For more information or to download Ritchie's
Complete Guide to Compass Navigation, visit:*

www.ritchienavigation.com

Accuracy from the inside out.

When properly sized, installed and compensated a marine compass is the most important instrument on any boat. It will provide accurate, trouble-free heading references under the most adverse conditions without relying on electricity, radio signals or satellite communications. The most important criteria when selecting a compass are dial size and mounting style. Quality components aid accuracy, smooth response, stability and trouble-free operation. Although the size and shape of Ritchie Compass models may vary, this cutaway engineering illustration is representative of the modern technology that makes Ritchie Compasses the World's Best Marine Compasses.



1 Compass Dome

The dome provides clear and accurate magnification of the dial. Our domes are made exclusively for Ritchie using a heavy-duty, optically clear polymer.

2 Compass Bowls & Housings

Bowls and housings are made from brass, or high-strength glass reinforced polymers.

3 Gimbal Systems

All Ritchie Compasses are engineered to operate normally within their environment without bottoming out due to the pitch and roll or heel of the boat. An internal gimbaling system is most often applied to provide this important function. This illustration shows the bi-axis gimbal system used in many Ritchie models. This dial assembly is suspended by Gimbal Rings and Pans formed from ultra lightweight aluminum and held in place with spring loaded brass pins. A Brass Counter Balance keeps the entire system level.

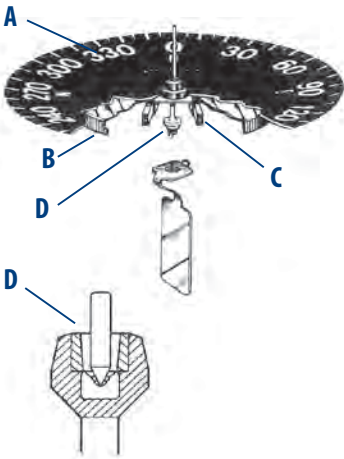
4 Fluid Baffle & Roller Diaphragm

Baffles reduce turbulence in the dampening fluid. Diaphragms allow the fluid to expand or contract with changes in temperature or pressure without forming bubbles.

5 Corrector Magnets

Deviation occurs when something on board your boat draws the compass magnets away from their attraction to the earth's magnetic field; i.e. masses of iron, engines, electric motors, electronics with speaker magnets, batteries, electronic instruments, tachometers with magnets, engine controls, steering wheels and electric appliances.

All Ritchie compasses that are intended for use on boats that could have deviation problems, have built-in compensators. These compensators are non-interactive magnets that are balanced and optimally spaced for accurate correction. Compensation instructions are included.



A Ritchie Dials

Dial measurements are given in the apparent visual size. Models are available in sizes from 2" (5.08cm) to 6" (15.24cm) in diameter. In many models you can select either a Traditional Flat Card or Direct Reading Dial. The CombiDial™ which is both a flat card and direct reading dial in one, is also available in several Voyager, Helmsman and Navigator models.

B Powerdamp® Performance

Each dial is engineered to provide the ultimate in steady, smooth performance and easy readability. Traditional Flat Dials are equipped with Ritchie's race proven PowerDamp® system, a lightweight baffle that eliminates spinning and dial jumping at high speeds and in rough conditions. Direct Reading and CombiDial™ dials are formed so that their shape also provides PowerDamp performance.

C Directiveforce™ Magnets

Ritchie uses special High Gauss Magnets that are field balanced and matched to each compass model, dial style and size. They are attached to the underside of the dial in pairs matched to seek and lock on to magnetic north. This provides superior accuracy and smooth, rapid response.

D Pivot and Jewel Movement

All Ritchie Compasses use a Hardened Steel Pivot and Triple Cup Sapphire Jewel Movement. They are microscopically matched to provide smooth dial operation and fast lock-on, under the most severe conditions. There are no plastic pivots or jewels in Ritchie Compasses.

Repairability & Warranty

All Ritchie compasses are 100% repairable and are backed by Ritchie's exclusive 5-year Warranty. See the "warranty" section on the back cover for complete details.



This wheelmark symbol denotes conformance with standards ISO 25862: 2009, ISO 10316(E) and ISO 613:2000(E)

Selecting and installing your compass.

When you choose your compass, you should always consider four things: mounting style, size, readability of the card and the design of your boat. Our guide below will help you select the Mounting Style and Dial Design that best suit your boat. You'll find more information on positioning, utilizing and optimizing your compass in Ritchie's Complete Guide to Compass Navigation. Download it for free on www.ritchienavigation.com

Mounting Styles



Dash Mount
Ideal for powerboats with limited dash space



Bulkhead Mount
Often used on sailboats to reduce interference with lines and to save space



Bracket Mount
Can be mounted on the deck or dash; allows compass to remain at proper viewing angle



Flush / Surface Mount
Ideal for today's compact helm designs



Binnacle Mount
Features an outer case, often with a light-shielding hood



Ritchie has available special custom fit covers for many models.

Dial Design

Wherever your compass is positioned on your boat, you'll need a dial that provides you with ultimate readability in every condition you encounter.



Combi-Dial
A combination of the direct-read and flat-card designs; incorporates dials that can be read from both above and directly in front of the compass and maximizes readability from any angle



Flat-Card Dial
Allows you to look down on the compass to see the course heading



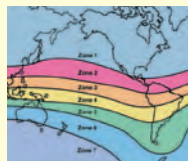
Direct-Read Dial
Allows you to see the compass heading and lubber line from directly in front; good for when boat design requires your compass to be positioned at eye level

Positioning

In an ideal situation, a compass should be mounted directly in front of the helm, as well as directly above the centerline of the hull. If this is not possible, the compass should be mounted parallel to the centerline. And on powerboats with upper steering stations, you should have a compass installed at both locations.

Balancing Compass Dials

Ritchie does not compromise on performance.



The dials in magnetic compasses should be balanced to compensate for dip caused by Earth's magnetic field. All Ritchie Compasses come standard for Zone 1 (essentially all of the Northern Hemisphere). When requesting a compass for Zones 2-7, please indicate the zone most central to your boating area. Once balanced for a specific Zone, the compass will maintain accuracy for one Zone north or south. For additional information please call our service department at (781) 709-3202. E-mail: service@ritchienavigation.com

Navy Standard Compasses

For Large Commercial Vessels



NS-7.5-SB



Navy Standard NS - 7.5 -SB with Steel Boat Quadrantal Correctors, 7 1/2" Dial

Dial Size/Design	7 1/2" (192mm)/Flat-Card Dial
Night Lighting	12V, 24V, 32V, and 110V
Overall Dimensions	25" x 9 3/8" (635mm x 238mm)
Base	12 1/2" (318mm)
Warranty	5-Year
Approx. Shipping Wt.	43 lb. (19.5kg)

Navy Standard NS - 7.5 , 7 1/2" Dial

Dial Size/Design	7 1/2" (192mm)/Flat-Card Dial
Night Lighting	12V, 24V, 32V, and 110V
Overall Dimensions	11 3/4" x 9 3/8" (299mm x 238mm)
Base	12 1/2" (318mm)
Warranty	5-Year
Approx. Shipping Wt.	19 lb. (8.6kg)

NS-7.5



NS-7.5-BIN



Navy Standard NS - 7.5-BIN , 7 1/2" Dial without mounting bracket for installation in ship's binnacle

Dial Size/Design	7 1/2" (192mm)/Flat-Card Dial
Night Lighting	12V, 24V, 32V, and 110V
Overall Dimensions	11 3/4" x 5 15/16" (299mm x 151mm)
Base	12" (304mm)
Warranty	5-Year
Approx. Shipping Wt.	16 lb. (7.3kg)

And New This Year... Our Navy Standard Azimuth Circle



Model AC-0001

High quality Hard-wood Carrying Case Included



Navy Standard Compass Features

- 1° increments with cardinal and inner cardinal markings
- Dial float chamber removes nearly all the weight from pivot and jewel to extend operation by years
- Bezel machined to accommodate 7 1/2" Navy standard azimuth circle or bearing circle
- 5" quadrantal spheres standard with steel boat model, smaller sizes available on request
- Meets or exceeds Solas ISO Class A compass requirements
- Operating Temperature Range: -22°F (-30°C) to +175°F (+80°C)
- 12, 24, 32, and 110 Volt Lighting included

- Fits Navy Standard compasses
- Made of high quality non-magnetic brass
- ID 9.72 inches (247mm)
- Approximate shipping weight 4 lbs. (1.8 kg.)

RitchieSport® Compasses



X-10-A



X-10W-M



X-10B-M



X-10-M

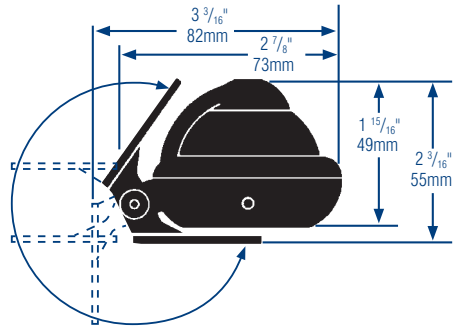


RitchieSport® X-10, 2" Dial

Dial Size/Design	2" (51mm)/Direct-Read Dial
Night Lighting	12V Green
Compensators	Built-in
Warranty	5-Year
Approx. Shipping Wt.	5 oz. (142g)

Adjustable Reversible Bracket Mount

The fully adjustable and reversible Bracket allows a mounting range of over 300° from overhead, through angled and vertical mounts to horizontal surfaces. These mounting position options and your choice of mounting hardware permit mounting on everything from windshield or supporting frame structures, to slanted dashboards and consoles, to almost any flat, angled or vertical surface.



X-21BB



X-21BU

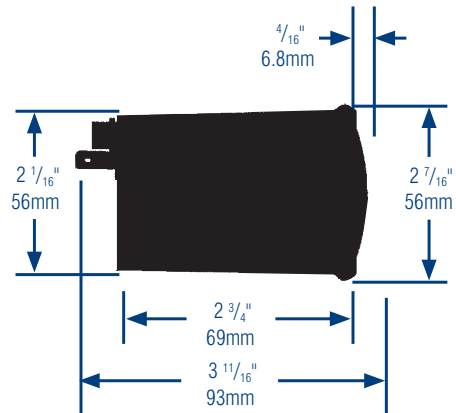


X-21WW



RitchieSport® X-21, 2" Dial

Dial Size/Design	2" (51mm)/Direct-Read Dial
Night Lighting	12V Green
Compensators	None
Viewing	Adjustable to 30°
Mounting Hole	2 1/4" (56mm) Std. 2" gauge hole
Warranty	5-Year
Approx. Shipping Wt.	5 oz. (142g)

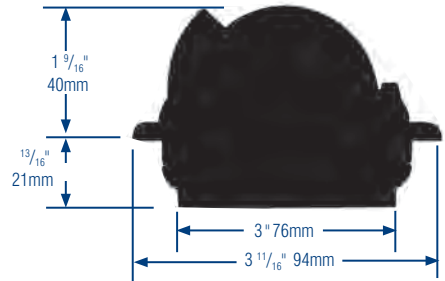


Trek™ Compasses



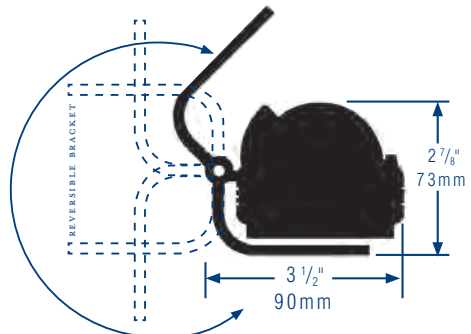
Ritchie Trek™ TR-35, 2 1/4" Dial

Dial Size/Design	2 1/4" (57mm)/Direct-Read Dial
Night Lighting	12V Green
Compensators	Built-in
Mounting Hole	3" (7.62cm)
Warranty	5-Year
Approx. Shipping Wt.	9 oz. (256g)



Ritchie Trek™ TR-31, 2 1/4" Dial

Dial Size/Design	2 1/4" (57mm)/Direct-Read Dial
Night Lighting	12V Green
Compensators	Built-in
Warranty	5-Year
Approx. Shipping Wt.	9oz. (256g)



Adjustable Reversible Bracket Mount

The fully adjustable and reversible Bracket Mount allows a mounting range of over 300° from overhead, through angled and vertical mounts to horizontal surfaces. These mounting position options and your choice of mounting hardware permit mounting on everything from windshield or supporting frame structures, to slanted dashboards and consoles, to almost any flat, angled or vertical surface.

FLUSH MOUNT

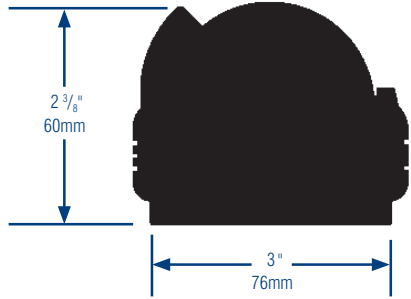
BRACKET MOUNT

Trek™ Compasses



Ritchie Trek™ TR-33, 2¼" Dial

Dial Size/Design	2 ¼" (57mm)/Direct-Read Dial
Night Lighting	12V Green
Compensators	Built-in
Warranty	5-Year
Approx. Shipping Wt.	9 oz. (256g)

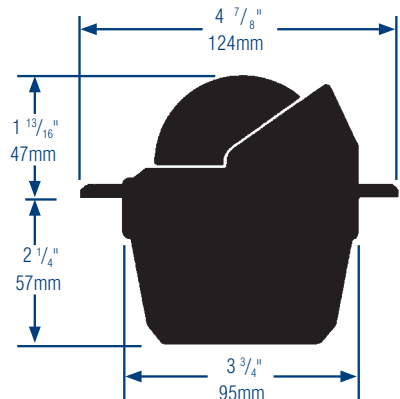


Explorer™ Compasses



Ritchie Explorer™ F-50, 2¾" Dial

Dial Size/Design	2 ¾" (70mm)/Direct-Read Dial
Night Lighting	12V Green
Compensators	Built-in
Mounting Hole	3 ¾" (95mm)
Warranty	5-Year
Approx. Shipping Wt.	1lb. (454g)
Protective Cover	Model No. E-50-C

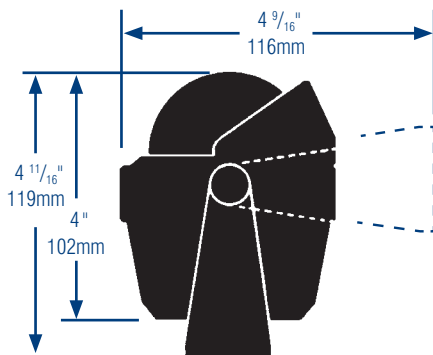


Explorer™ Compasses



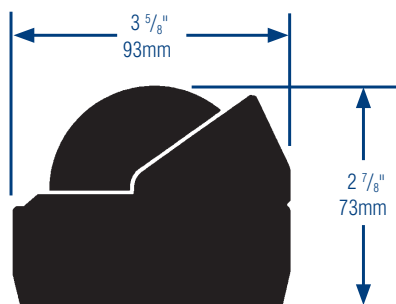
Ritchie Explorer™ B-51, 2 3/4" Dial

Dial Size/Design	2 3/4" (70mm)/Direct-Read Dial
Night Lighting	12V Green
Compensators	Built-in
Warranty	5-Year
Approx. Shipping Wt.	1 lb. (454g)



Ritchie Explorer™ S-53, 2 3/4" Dial

Dial Size/Design	2 3/4" (70mm)/Direct-Read Dial
Night Lighting	12V Green
Compensators	Built-in
Warranty	5-Year
Approx. Shipping Wt.	1 lb. (454g)
Protective Cover	Model No. E-50-C



Explorer™ Compasses



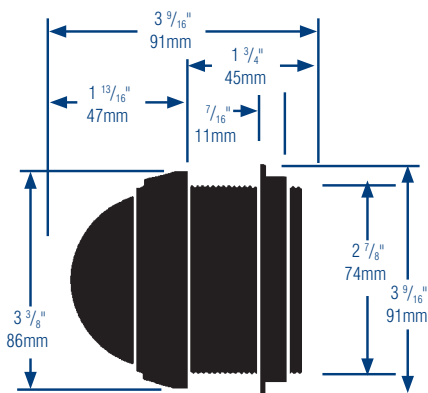
Ritchie Explorer™ V-57.2, 2 3/4" Dial

Dial Size/Design	2 3/4" (70mm)/Direct-Read Dial
Night Lighting	12V
Viewing	Adjustable to 30°
Compensators	Built-in
Mounting Hole	3" (76mm) Instrument Hole
Warranty	5-Year
Approx. Shipping Wt.	1 lb. (454g)

V-57W.2



V-57.2



Ritchie Explorer™ V-537, 2 3/4" Dial

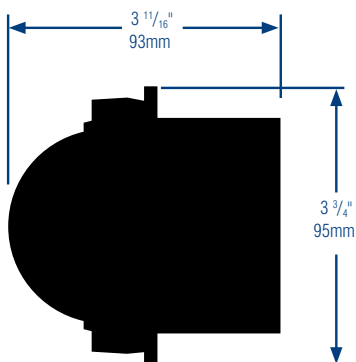
Dial Size/Design	2 3/4" (70mm)/Direct-Read Dial
Night Lighting	12V
Viewing	Adjustable to 30° Heel angle to 25°
Compensators	Built-in
Mounting Hole	3" (76mm)
Warranty	5-Year
Approx. Shipping Wt.	1 lb. (454g)

V-537B

V-537



V-537W

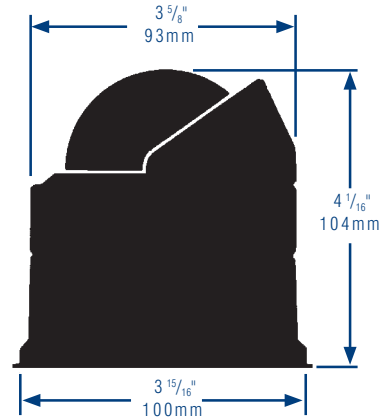


Explorer™ Compasses



Ritchie Explorer™ D-55, 2 3/4" Dial

Dial Size/Design	2 3/4" (70mm)/Direct-Read Dial
Night Lighting	12V Green
Compensators	Built-in
Warranty	5-Year
Approx. Shipping Wt.	1 lb. (454g)
Protective Cover	Model No. E-50-C

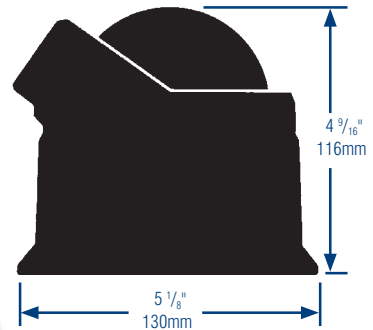


Voyager® Compasses



Ritchie Voyager® D-84, 3" Dial

Dial Size/Design	3" (76mm)/Flat-Card Dial
Night Lighting	12V Green
Compensators	Built-in
Warranty	5-Year
Approx. Shipping Wt.	1 lb. 8oz. (680g)
Protective Cover	Model No. V-80-C



Voyager® Compasses



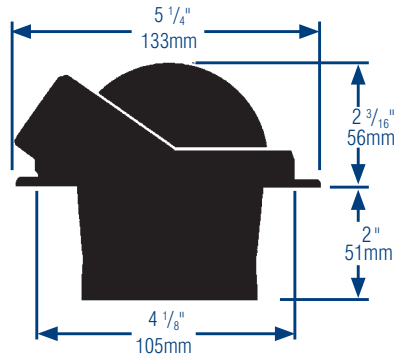
F-82



F-82W

Ritchie Voyager® F-82, 3" Dial

Dial Size/Design	3" (76mm)/Flat-Card Dial
Night Lighting	12V Green
Compensators	Built-in
Mounting Hole	4 1/8" (105mm)
Warranty	5-Year
Approx. Shipping Wt.	1 lb. 8 oz.(680g)
Protective Cover	Model No. V-80-C



F-83W

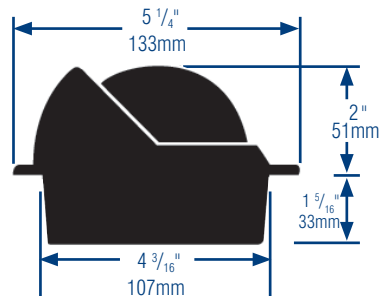


F-83



Ritchie Voyager® F-83, 3" Dial

Dial Size/Design	3" (76mm)/CombiDial
Night Lighting	12V Green
Compensators	Built-in
Mounting Hole	4 3/16" (107mm)
Warranty	5-Year
Approx. Shipping Wt.	1 lb. 4 oz.(567g)
Protective Cover	Model No. V-83-C



Wheelmark models are F-83-WM and F-83W-WM

FLUSH MOUNT

FLUSH MOUNT

Voyager® Compasses

BRACKET MOUNT



Wheelmark model is B-81-WM

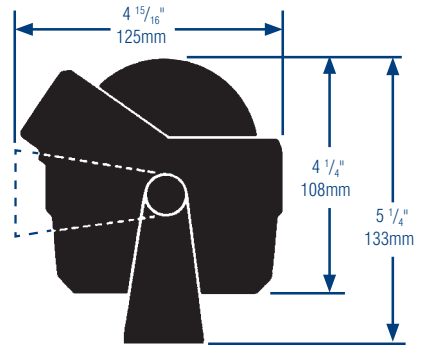
B-80



B-81

Ritchie Voyager® B-80 & B-81, 3" Dial

Dial Size/Design	3" (76mm)/Flat-Card or CombiDial
Night Lighting	12V Green
Compensators	Built-in
Warranty	5-Year
Approx. Shipping Wt.	1lb. 8oz. (680g)
Protective Cover	Model No. V-80-C (B-80) Model No. V-83-C (B-81)



SURFACE MOUNT



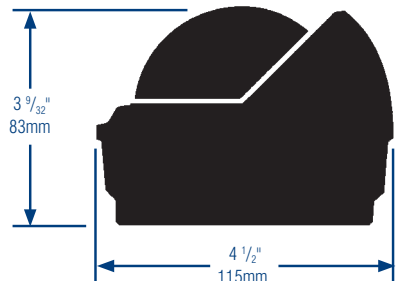
S-87



S-87W

Ritchie Voyager® S-87, 3" Dial

Dial Size/Design	3" (76mm)/CombiDial
Night Lighting	12V Green
Compensators	Built-in
Warranty	5-Year
Approx. Shipping Wt.	1 lb. 3 oz. (539g)
Protective Cover	Model No. V-83-C



Wheelmark models are S-87-WM and S-87W-WM

Helmsman™ Compasses



HF-742

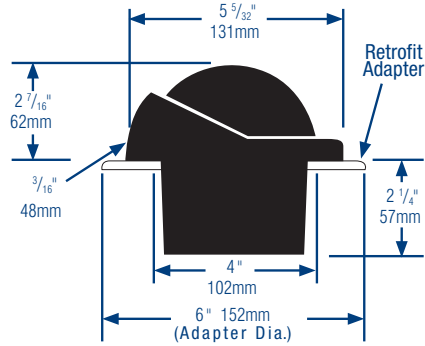


HF-743

HF-742W



HF-743W



Ritchie Helmsman™ HF-742 & HF-743, 3 3/4" Dial

Dial Size/Design	3 3/4" (94mm)/Flat-Card or CombiDial
Night Lighting	12V Green
Compensators	Built-in
Mounting Hole	4" (102mm), 5" (128mm) w/adapter ring
Warranty	5-Year
Approx. Shipping Wt.	2lb. (907g)
Protective Cover	Model No. H-741-C



Adapter Rings

(may be purchased if needed)

6" (152mm) retrofits the existing mounting hole for Model Numbers HF-72s, HF-73s and HF-79s. Adapter Model Numbers: H-ABLK (black) and H-AWHT (white).



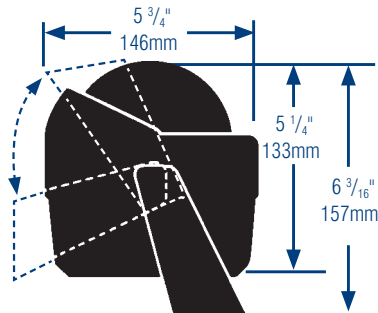
HB-740



HB-741

Ritchie Helmsman™ HB-740 & HB-741, 3 3/4" Dial

Dial Size/Design	3 3/4" (94mm)/Flat-Card or CombiDial
Night Lighting	12V Green
Compensators	Built-in
Warranty	5-Year
Approx. Shipping Wt.	2 lb. (907g)
Protective Cover	Model No. H-741-C



Helmsman™ Compasses

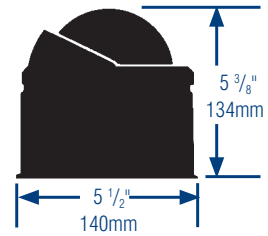
HD-744

HD-745



Ritchie Helmsman™ HD-744 & HD-745, 3 3/4" Dial

Dial Size/Design	3 3/4" (94mm)/Flat-Card or CombiDial
Night Lighting	12V Green
Compensators	Built-in
Warranty	5-Year
Approx. Shipping Wt.	2 lb. (907g)
Protective Cover	Model No. H-741-C



DECK MOUNT



Venture® Compass (Sailboats only)

Front Cover



Back Cover



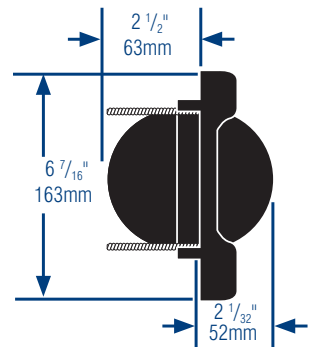
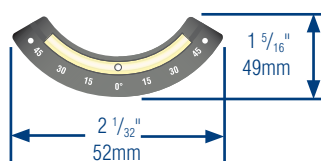
SR-CM2 Compensator (may be purchased if needed)

Ritchie Venture™ SR-2, 3 3/4" Dial

Dial Size/Design	3 3/4" (94mm)/CombiDial
Night Lighting	12-24V Blue
Compensators	SR-CM2 Sold Separately
Mounting Hole	4 1/2" (113mm)
Warranty	5-Year
Approx. Shipping Wt.	2 lb. (.91kg)
Protective Cover	BK-0019 ASY
INC-45	Included



INC-45 Clinometer



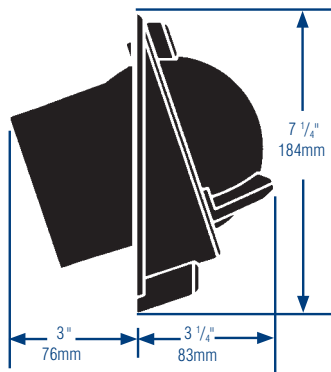
BULKHEAD MOUNT

Navigator™ Compasses



Ritchie Navigator™ BN-202, 4½" Dial

Dial Size/Design	4 ½" (114mm) / CombiDial
Night Lighting	12V
Compensators	Built-in
Mounting Hole	5 ¾" (146mm)
Warranty	5-Year
Approx. Shipping Wt.	2lb. 5oz. (1.05kg)
Protective Cover	Model No. BN-C



Navigator bulkhead back cover Model No. NC-20



FN-201

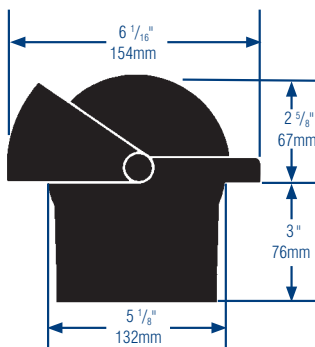
FN-203

FNW-201

FNW-203

Ritchie Navigator™ FN-201 & FN-203, 4½" Dial

Dial Size/Design	4 ½" (114mm) / Flat-Card or CombiDial
Night Lighting	12V Green
Compensators	Built-in
Mounting Hole	5 ⅛" (130mm)
Warranty	5-Year
Approx. Shipping Wt.	2 lb. 10 oz. (1.19kg)
Protective Cover	Model No. N-203-C



BULKHEAD MOUNT

FLUSH MOUNT



Wheelmark models are FN-201-WM and FNW-201-WM

Navigator™ Compasses

BINNACLE MOUNT



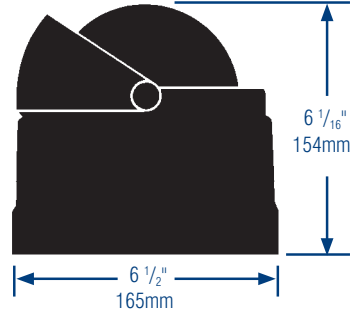
DNP-200

DNW-200

DNB-200

Ritchie Navigator™ DNP-200, 4 1/2" Dial

Dial Size/Design	4 1/2" (114mm) / Flat-Card Dial
Night Lighting	12V Green
Compensators	Built-in
Warranty	5-Year
Approx. Shipping Wt.	3 lb. 10 oz. (1.65kg)
Protective Cover	Model No. N-203-C



Wheelmark models are DNP-200-WM, DNW-200-WM and DNB-200-WM

SuperSport™ Compasses

FLUSH MOUNT

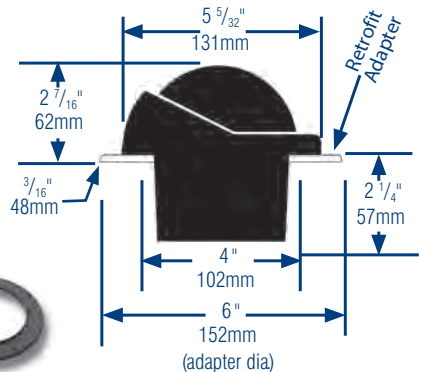


SS-1002W

SS-1002

SuperSport™ SS-1002, 3 3/4" Dial

Dial Size/Design	3 3/4" (94mm) / Blue PowerDamp Plus Flat-Card Dial
Night Lighting	12V Green
Compensators	Built-in
Mounting Hole	4" (102mm) – 5" (128mm) w/adapter ring
Warranty	5-Year
Approx. Shipping Wt.	2 lb. (907g)
Protective Cover	Model No. H-741-C



Adapter Rings (may be purchased if needed)

6" (15.24cm) retrofits the existing mounting hole for Model Numbers SS-1002 and SS-1002W. Adapter Model Numbers: H-ABLK (black) and H-AWHT (white).

SuperSport™ Compasses

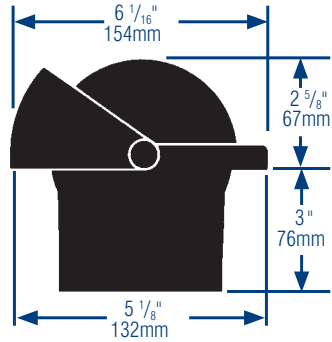


SS-2000W

SS-2000

SuperSport™ SS-2000, 4½" Dial

Dial Size/Design	4 ½" (114mm)/Blue PowerDamp Plus Flat-Card Dial
Night Lighting	12V Green
Compensators	included
Mounting Hole	5 ⅛" (130mm)
Warranty	5-Year
Approx. Shipping Wt.	2 lb. 10 oz. (1.19kg)
Protective Cover	Model No. N-203-C

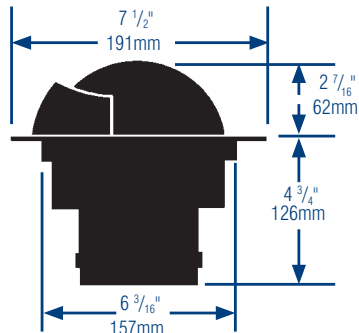


SS-5000W

SS-5000

SuperSport™ SS-5000, 5" Dial

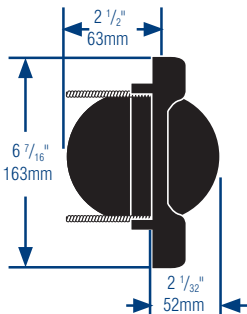
Dial Size/Design	5" (127mm)/PowerDamp Plus Flat-Card Dial
Night Lighting	12V Green/24V or 32V by order
Compensators	Built-in
Mounting Hole	6 ¼" (159mm)
Warranty	5-Year
Approx. Shipping Wt.	5 lb. 12 oz. (2.6kg)
Protective Cover	Model No. LL-C



SuperSport™ Compasses

SuperSport™ SS-PR2, 3 3/4" Dial

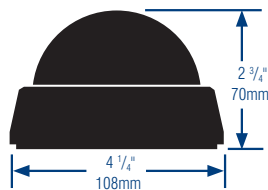
Dial Size/Design	3 3/4" (9.35cm)/CombiDial
Night Lighting	12-24V Blue
Compensators	included
Mounting Hole	4 1/2" (12.2cm)
Warranty	5-Year
Approx. Shipping Wt.	2 lb. (.91kg)
Protective Cover	BK-0019 ASY
SR-CM2 Compensator	included



Small Sailboat Racing Compasses

Ritchie X-Port Tactician™ XP-98W, 3" Dial

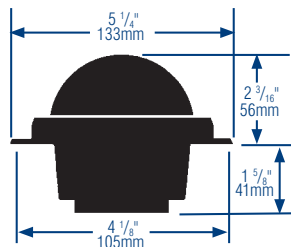
Dial Size/Design	3" (76mm)/CombiDial with Tactical Quadrants to show Wind Shifts and Headers
Warranty	5-Year
Approx. Shipping Wt.	1 lb. (454g)



Ritchie Voyager® RU-90, 3" Dial

Boat Style	small racing sailboats
Dial Size/Design	3" (76mm)/Blue Flat-Card Dial
Night Lighting	none*
Mounting Hole	4 1/8" (105mm)
Warranty	5-Year
Approx. Shipping Wt.	1 lb. 4 oz. (567g)
Protective Cover	Model No. V-81-C

*Light Kit VL-100 available for RU-90



Masthead Mount Wind Indicator

- High Stability** - won't overreact, minimal flutter
- Carbon Fiber Construction** - to withstand the rigors of high performance racing
- Low Friction Bearing** - the heart of **Race 1**
- Ultralight** - less than 10g all up
- Ultra Sensitive** - the 0.3mm carbon "feather" responds reliably to the lightest of airs, you pick up the shifts before the competition

Feather Vane Race 1 FVR-1

Size:	Vane Length - 8" (20 cm), Height - 12.99" (33 cm)
Warranty:	1 Year
Approx. Ship Wt.	1 lb. (45 gm)

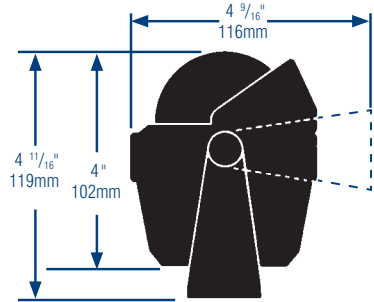


Fishing Boat Compasses



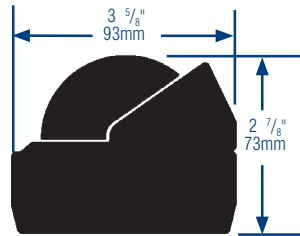
Ritchie Angler® RA-91, 2¾" Dial

Dial Size/Design	2 ¾" (70mm)/Blue Direct-Read Dial
Night Lighting	12V Green
Compensators	Built-in
Warranty	5-Year
Approx. Shipping Wt.	1 lb. (454g)
Protective Cover	None



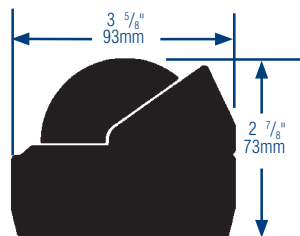
Ritchie Angler® RA-93, 2¾" Dial

Dial Size/Design	2 ¾" (70mm)/Blue Direct-Read Dial
Night Lighting	12V Green
Compensators	Built-in
Warranty	5-Year
Approx. Shipping Wt.	1 lb. (454g)
Protective Cover	Model No. E-50-C



Off 90° Compass S-OFF90, 2¾" Dial

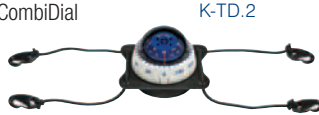
Dial Size/Design	2 ¾" (70mm)/Direct-Read Dial
Night Lighting	12V Green
Compensators	Built-in
Warranty	5-Year
Approx. Shipping Wt.	1 lb. (454g)
Viewing	90° off for viewing from starboard
Protective Cover	Model No. E-50-C



Kayak Compasses and Accessories

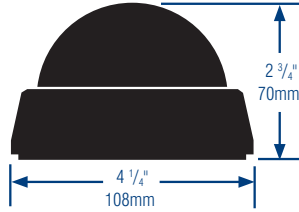
Ritchie Kayaker™ XP-99, 3" Dial

Dial Size/Design 3" (76mm)/CombiDial
 Warranty 5-Year
 Approx. Shipping Wt. 1 lb. (454g)



Kayaker Tie-Downs

K-TD.2 (compass not included) Designed for Mounting the Ritchie Kayaker. No drill, no holes in the deck, flexible pad and foam ring easily conform to deck shape, won't scratch finishes.



Ritchie SportAbout™ X-11Y, 2" Dial

Dial Size/Design 2" (51mm)/Direct-Read Dial
 Night Lighting 3 Cyalume® Light Sticks Included
 Warranty 5-Year
 Approx. Shipping Wt. 1 lb. (454g)



Sportabout™ Compass Holder

The SportAbout Holder can be deck mounted to make your SportAbout a Steering Compass on small boats. For convenient storage, mount the Holder on a Bulkhead.

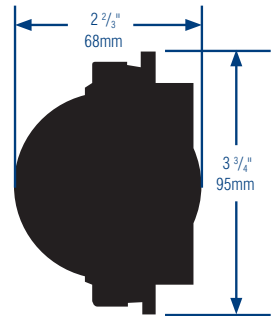


SportAbout™ Holder
 White - X-11-HW
 Black - X-11-H



Ritchie V-527, 2 3/4" Dial

Boat Style/Size Kayaks
 Dial Size/Design 2 3/4" (70mm)/Direct-Read Dial
 Night Lighting N/A
 Compensators Built-in
 Warranty 5-Year
 Viewing Adjustable up to 45°
 Approx. Shipping Wt. 1lb. (454g)



Wetnotes™ W-35 & W-50



WetNotes are ideal for any on-the-water record keeping, from jotting down favorite fishing spots to grocery lists. Completely waterproof so they may be used underwater, WetNotes are available in two sizes: the Large 4 1/2" x 7 1/4" Notebook and the Small 3" x 5" Pocket Notebook. WetNotes can be used with a regular soft lead pencil (supplied with W-50 Notebook), opens flat for easy writing, has easily removable pages and a tough international safety yellow vinyl cover.

WetNotes Model W-50 (left & center), includes 45 pages, vinyl cover and pencil
 WetNotes Model W-35 (right), includes 40 pages, self cover

Globemaster® Compasses

All Globemaster Compasses are individually custom assembled to order. Please ask your dealer or boat builder for complete specifications, options and ordering information (see note on page 25). Or, call Ritchie Customer Service at 781-709-3202.



SP-5C

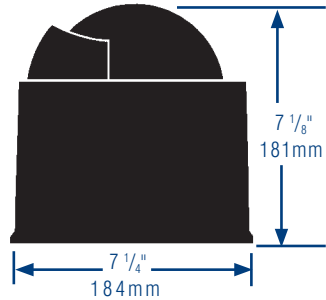


SP-5B

Globemaster® SP-5B & SP5C, 5" Dial

Dial Size/Design	5" (127mm)/Flat-Card Dial (see style options page 25)
Night Lighting	12V Green
Compensators	Built-in
Warranty	5-Year
Approx. Shipping Wt.	6 lb. (2.72kg)
Protective Cover	Model No. GM-5-C (Sold Separately)
Weather Shield	Model No. WS-P (Sold Separately)

D-615-X



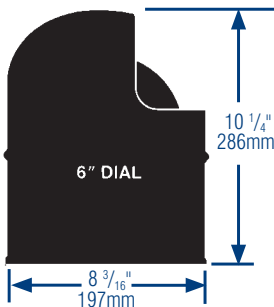
D-515-B



D-515-EP

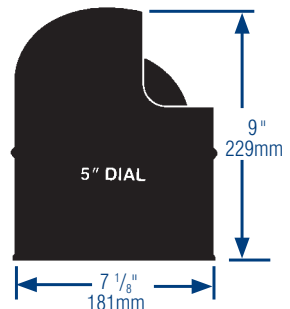
Globemaster® D-615 Compasses

Dial Size/Design	6" (152mm) Flat-Card Dial (see style options page 25)
Night Lighting	12V Green
Compensators	Built-in
Warranty	5-Year
Approx. Shipping Wt.	14 lb. (6.36kg)



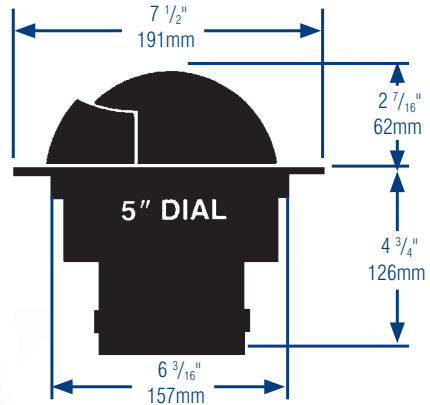
Globemaster® D-515 Compasses

Dial Size/Design	5" (127mm) Flat-Card Dial (see style options page 25)
Night Lighting	12V Green
Compensators	Built-in
Warranty	5-Year
Approx. Shipping Wt.	10 lb. (4.54kg)
Protective Cover	Model No. GM-5-C (Sold Separately)
Weather Shield	Model No. WS-P (Sold Separately)



Globemaster® Compasses

Note: When ordering a Globemaster Compass it is important to specify your choice of power or sailboat model; 2°, 2° w/points, or 5° dial; 12, 24, or 32-volt night lighting and your choice of Polished Stainless (P), Black (B) or Polished Brass (X) finish on all models.



Globemaster® FB-500 & 600 Series, 5" & 6" Dials

Dial Size/Design	5" (127mm) or 6" (152mm) Flat-Card Dial (see style options page 25)
Night Lighting	12V Green
Compensators	Built-in
Mounting Hole	5" models: 6 1/4" (159mm) 6" models: 7 1/4" (184mm)
Warranty	5-Year
Approx. Shipping Wt.	See below
Protective Cover	Model No. LL-C (for Models SF-500 & FB-500 only)

Flush Mount Without Hoods

Part #	Dimensions	Approx. Shipping Wt.
B-500	5" dial, 6 7/8" (175mm) OD	5 lb. 12 oz. (2.61 kg)
* SB-500	5" dial, 6 7/8" (175mm) OD	5 lb. 12 oz. (2.61 kg)
B-600	6" dial, 8" (203mm) OD	11 lb. (4.99 kg)
* SB-600	6" dial, 8" (203mm) OD	11 lb. (4.99 kg)
* SF-500	5" dial, 7 1/2" (191mm) OD	5 lb. 12 oz. (2.61 kg)
* SF-600	6" dial, 9" (229mm) OD	11 lb. (4.99 kg)
FB-500	5" dial, 7 1/2" (191mm) OD	5 lb. 12 oz. (2.61 kg)
F-600	6" dial, 9" (229mm) OD	11 lb. (4.99 kg)

Binnacle Mount Without Hoods

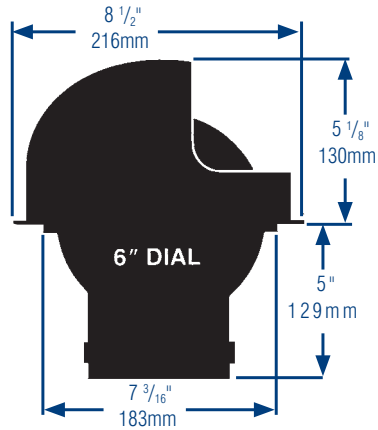
* SP-5	5" dial, 7 1/4" (184mm) OD	6 lb. (2.72 kg)
515	5" dial, 7 1/8" (183mm) OD	8 lb. 6 oz. (3.80 kg)
* 515-E	5" dial, 7 1/8" (183mm) OD	8 lb. 6 oz. (3.80 kg)
615	6" dial, 8 3/8" (197mm) OD	11 lb. 8 oz. (5.28 kg)
* 615-E	6" dial, 8 3/16" (197mm) OD	11 lb. 8 oz. (5.28 kg)

* designates sailboat features: Low Level Lighting and 45° Lubber Lines

Globemaster® Compasses

All Globemaster Compasses are individually custom assembled to order. Please ask your dealer or boat builder for complete specifications, options and ordering information. Or, call Ritchie Customer Service at 781-709-3202.

Note: When ordering a Globemaster Compass it is important to specify your choice of power or sailboat model; 2°, 2° w/points, or 5° dial; 12, 24, or 32-volt night lighting and your choice of Polished Stainless (P), Black (B) or Polished Brass (X) finish on all models.



Globemaster® FD-500 & 600 Series , 5" & 6" Dials

Flush Mount With Hoods

Part #	Dimensions	Approx. Shipping Wt.
FD-500	5" dial, 7 1/2" (191mm) OD	8 lb. 9 oz. (3.87 kg)
* FD-500E	5" dial, 7 1/2" (191mm) OD	8 lb. 9 oz. (3.87 kg)
FD-600	6" dial, 8 1/2" (216mm) OD	13 lb. 8 oz. (6.12 kg)
* FD-600E	6" dial, 8 1/2" (216mm) OD	13 lb. 8 oz. (6.12 kg)

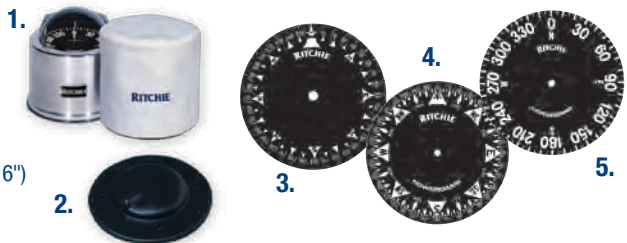
Binnacle Mount With Hoods

D-515	5" dial, 7 1/8" (183mm) OD	10 lb. (4.54 kg)
* D-515-E	5" dial, 7 1/8" (183mm) OD	10 lb. (4.54 kg)
D-615	6" dial, 8 3/16" (197mm) OD	14 lb. (6.36 kg)
* D-615-E	6" dial, 8 3/16" (197mm) OD	14 lb. (6.36 kg)

* designates sailboat features: Low Level Lighting and 45° Lubber Lines

Globemaster Compass Options

1. Protective Cover GM-5-C (5" only)
2. Weather Shield Model No. WS-P (5" only)
3. 2° Dial Model No. G-2 (5" only)
4. 2° Dial w/points Model No. G-2-P (5" and 6")
5. 5° Dial Model No. G-5 (5" and 6")



Heritage Skylight Binnacle with Hood for Globemaster® Compasses



SK-615-EX

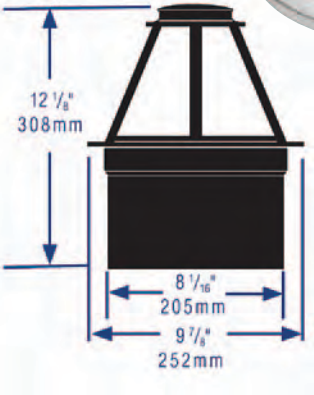
SK-615-EC

- Polished Brass or Chrome Housing with Skylight Hood
- 45 & 90 Degree Lubber Lines for Easy Reading
- Full Internal Gimbals



The SK-615-C shown here on a Friendship 75 Yacht

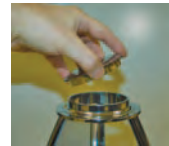
BINNACLE MOUNT



Frosted Sunshade Pane - Hood rotates to allow positioning of sunshade, polished thumbscrew locks hood in position.



12 Volt Green NiteVu Powerlight Lighting Standard on all SK Models Optional Night Lighting available (see below)



Removable Daylight Cap

Dial Size/Design
12 Volt Green Powerlight Lighting

Compensators
Warranty
Repairability

Approx. Shipping Wt.

SK-615-X & SK-615-C

6" (152mm)
Standard on both SK models
Optional Night Lighting available in 24 & 32 Volt Green or 12, 24 & 32 Volt Red

Built-In
5-Years
100%
20 lb. (9.07kg)

Choice of Cards:

1. 2° Dial w/points Model No. G-2-P
2. 5° Dial Model No. G-5



Super Yacht Compasses



SY-600LL



SY-500PL



SY-600PL



SY-500LLC

Super Yacht Compass Features

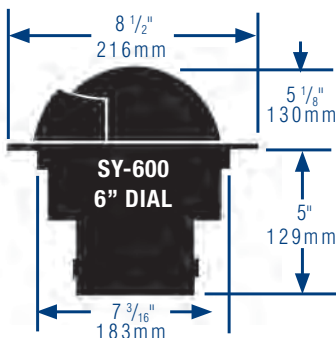
- Bright polished Bronze or polished Chrome Bezel
- Choice of 2 or 5 degree markings
- Low profile Sailboat Style Lighting (LL) or Power Lighting (PL)
- PowerDamp Performance Dials
- 45 and 90 Degree Lubber Lines (Sailboat version)
- Full Internal gimbals
- 12 volt lighting standard – Optional night lighting available in 24 and 32 volt
- Spherical Design Bowl
- High-Capacity Roller Diaphragm for Extended Temperature Operating Ranges
- 100% Repairable

Optional engraving available



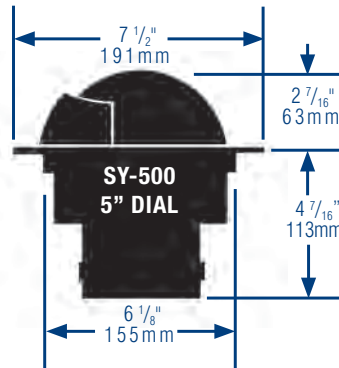
Super Yacht SY-600 Series

Dial Size/Design	6" (152mm) Flat-Card Dial (see style options page 24)
Night Lighting	Yes
Mounting Hole	7 1/4" (18.42cm)
Compensators	Built-in
Warranty	5-Year
Approx. Shipping Wt.	11 lbs. (4.99kg)
Protective Cover	None



Super Yacht SY-500 Series

Dial Size/Design	5" (127mm) Flat-Card Dial (see style options page 24)
Night Lighting	Yes
Mounting Hole	6 1/4" (15.9cm)
Compensators	Built-in
Warranty	5-Year
Approx. Shipping Wt.	5 lb. 12oz. (2.6kg)
Protective Cover	LL-C (LL lighting only)



Steel & Commercial Boat Compasses

BRACKET & BINNACLE MOUNT



HB-845



B-200P

Helmsman™ HB-845 with Steel Boat Quadrantal Correctors, 3 3/4" Dial

Dial Size/Design	3 3/4" (57mm)/Flat-Card Dial
Night Lighting	12V Green
Overall Dimensions	12" x 6 1/6" (305mm x 157mm)
Base	4 3/8" (111mm)
Warranty	5-Year
Approx. Shipping Wt.	6 lb. (2.72kg)
Protective Cover	Model No. H-741-C

Navigator™ B-200P with Steel Boat Quadrantal Correctors, 4 1/2" Dial

Dial Size/Design	4 1/2" (114mm)/Flat-Card Dial
Night Lighting	12V Green
Overall Dimensions	17 1/4" x 6 1/6" (438mm x 157mm)
Base	7 1/4" (184mm)
Warranty	5-Year
Approx. Shipping Wt.	10 lb. (4.5kg)
Protective Cover	Model No. N-203-C

Steel & Commercial Boat Compasses

D-5-S-X



YB-500



Globemaster® D-5-S & D-6-S with Steel Boat Quadrantal Correctors, 5" & 6" Dial

	D-5-S	D-6-S
Dial Size/Design	5" (127mm)	6" (152mm)
Night Lighting	12V Green	12V Green
Overall Dimensions	22" x 8 3/4" (556mm x 223mm)	23 3/4" x 10 1/4" (603mm x 260mm)
Base	7 1/8" (181mm)	8 3/16" (209mm)
Warranty	5-Year	5-Year
Approx. Shipping Wt.	23 lb. (10.44kg)	29 lb. (13.15kg)

Globemaster® YB-500 & YB-600 with Steel Boat Quadrantal Correctors, 5" & 6" Dial

	YB-500	YB-600
Dial Size/Design	5" (127mm)	6" (152mm)
Night Lighting	12V Green	12V Green
Overall Dimensions	19" x 8 1/4" (483mm x 210mm)	20 1/4" x 9 7/8" (514mm x 245mm)
Base	6 7/8" (175mm)	8" (203mm)
Warranty	5-Year	5-Year
Approx. Shipping Wt.	18 lb. (8.16kg)	26 lb. (11.90kg)

IMPORTANT ORDERING INFORMATION: All Steel and Commercial Boat Compasses are individually custom assembled to order, and there are many options to consider. All models are available with your choice of 12, 24, or 32-volt night lighting. In addition, Globemaster Models are available for either sail or powerboats with a choice of dial sizes and dial degree graduations. The Globemaster Traditional Binnacle Models are also available in Polished Brass (X), Chrome Plated Brass (C) or Black (B) finish. Please ask your dealer or boat builder for complete specifications, options and ordering information or call Ritchie Customer Service at 781-826-5131.



1. 2" Dial Model No. G-2 (5" only)
2. 2" Dial w/points Model No. G-2-P (5" and 6")
3. 5" Dial Model No. G-5 (5" and 6")

Globemaster™ Shock Mount Compasses

feature a special anti-vibration mount. Isolates Dial to protect Pivot and Jewel.



B-453

Globemaster® Shock Mount Binnacle B-453 & B-463 with Steel Boat Quadrantal Correctors

For Steel and Commercial Vessels

	B-453	B-463
Dial Size/Design	5" (127mm)	6" (152mm)
Night Lighting	12V Green	12V Green
Overall Dimensions	19" x 8 1/4" (463mm x 210mm)	20 1/2" x 10 1/4" (521mm x 260mm)
Base	8 7/16" (214mm)	9 1/2" (241mm)
Warranty	5-Year	5-Year
Approx. Shipping Wt.	16 lb. (7.25kg)	24 lb. (10.89kg)

Globemaster® C-453 & C-463 with Shock Mount Binnacle

For Commercial Vessels

	C-453	C-463
Dial Size/Design	5" (127mm)	6" (152mm)
Night Lighting	12V Green	12V Green
Overall Dimensions	8 1/2" x 8 1/4" (216mm x 210mm)	9 1/2" x 10 1/4" (241mm x 260mm)
Base	8 7/16" (214mm)	9 1/2" (241mm)
Warranty	5-Year	5-Year
Approx. Shipping Wt.	7 lb. (3.52kg)	12 lb. (5.44kg)



C-453

RITCHIE AUTHORIZED SERVICE LOCATIONS

ALABAMA

Mobile Instrument Co. Inc.
745 Lakeside Dr.
Mobile 36693
(251) 660-7474
mwillis@
mobileinstrumentco.com

CALIFORNIA

Baker Marine Instrument & Repair
2425 Shelter Island Dr.
San Diego 92106
(619) 222-8096
brian@bakermarineusa.com
www.bakermarineusa.com

Beacon Marine Electronics

3401 West 5th St.
Suite 150
Oxnard 93030
(805) 985-9828
beaconmarineelec@earthlink.net
www.beaconmarineelectronics.com

NOR-CAL Compass Adjusting

936-B Seventh St. #258
Novato 94945
(415) 892-7177
norcal.compass@verizon.net

Wheelhouse Compass

11570 Stoney Brook Ct.
Beaumont 92223
800-700-NAVY (6289)
compassrepair@wheelhousecompass.com

CONNECTICUT

Connecticut Compass Service

301 Grassy Hill Rd.
Lyme 06371
(860) 434-2019
wkyder@earthlink.net

George B. Winther Yacht Service

Gwenmor Marina, Broadway Ext.
Mystic 06355
(860) 536-0845

Southern New England

Compass Service
167 Cherry St.
Milford 06460
(203) 400-1910
mgabriel3@juno.com

FLORIDA

Fluid Technologies

3477 Lakeshore Blvd.
Jacksonville, FL 32210
(904) 384-9659
info@fluid-tec.com
www.fluid-tec.com

Island Compass South

2256 Orange Ave.
Orange Park 32073
(904) 269-3810
(888) 269-3810
Fax (904) 215-9180
compassfix@islandcompass.com
www.islandcompass.com

JK & E Enterprises, Inc.

7075 121 Way N.
St. Petersburg, FL 33772
(727) 515-2746
joe@compassadjuster.com
www.compassadjuster.com

L. B. Harvey Marine Inc.

363 Granello Avenue
Coral Gables, FL 33146
(800) 856-1583
lbhmarine@aol.com
www.lbharveymarine.com

Lauderdale Compass

300 West State Rd. 84
Ft Lauderdale 33315
Tech (954) 467-3911
Sales (800) 951-5123
www.lspeedo.com

MONROE ENTERPRISES DIVERSIFIED, INC.

dba Darling Compass Repair
4683 Atlantic Ave.
Sarasota 34233
(941) 927-0792
sam.monroe@gmail.com

Paradise Marine Electronics

4311 Veronica S Shoemaker Blvd.
Suite 4
Fort Myers 33916
(239) 931-1142
kathy@paradisemarineelectronics.co
www.paradisemarineelectronics.com

Ron Fodor Compasses

1201 SW Live Oak Cove
Port St. Lucie 34986
(772) 340-2999

GEORGIA

Island Compass South – Savannah

(Mail-in location only)
125 Foxfield Way
Suite # 4, Box 175
Pooler, GA 31322
(888) 269-3810
(803) 810-0246
compassfix@islandcompass.com
www.islandcompass.com

HAWAII

Commercial Marine Elect.

dba The Compass Adjustor
1320 Kalani St #B309
Honolulu 96817
(808)-841-3300
cmeohawaii@gmail.com

ILLINOIS

Great Lakes Compass Adjusting & Repair

31 N. Alfred Ave.
Elgin 60123
(847) 697-6491

LOUISIANA

American Electronic Service Inc.

1401 Sandra St.
Morgan City 70380
(985)-702-8400
gbl@teche.net

Baker, Lyman & Co., Inc.

5250 Veterans Memorial Blvd.
Metairie 70006
(504) 831-3685
sales@bakerlyman.com
www.bakerlyman.com

MAINE

DNW Marine Services, Inc.

P.O. Box 674
176 Clark Point Road
Southwest Harbor, ME 04679
(207) 244-3490

MARYLAND

East Coast Compass

1 Queen Anne Ave.
Cambridge 21613
(410) 463-0325
tshubb@comcast.net

J Gordon & Company, Inc.

726 Second Street
Annapolis 21403
(410) 263-0054
jgordonco@aol.com

Maryland Nautical Sales Inc.

1400 E Clement St.
Baltimore 21230
(410) 752-4268
(800) 596-7245
sales@mdnautical.com
www.mdnautical.com

MASSACHUSETTS

Andrews Compass Service

11 Baptist Street
P.O. Box 1122
Mattapoisett 02739
(508) 758-3001
(800) 566-7277
andrewscompass@verizon.net
www.andrewscompass.com

CapCompass

114 Blacksmith Shop Rd.
P.O. Box 52
West Falmouth 02574
(508) 457-9093
(800) 675-9093
Jeff.kaufmann@capcompass.com
www.capcompass.com

Viking Instruments

41 Summer St. Rt. 3A
Kingston 02364
(781) 585-2100
info@vikingoptics.com
www.compassrepair.com

MICHIGAN

G T Compass Compensation & Repair

5250 Vance Rd.
Grawn 49637
(231) 943-9819

NEW JERSEY

Cape-Atlantic Compass Repair

14 Greate Bay Drive
Somers Point, NJ 08244
(609) 204-2681
cape.atlantic@comcast.net

Howard Post

8 Logan Ct.
Brick, NJ 08724
(941) 966-4967 (FL)
(732) 295-1871 (NJ)
TheHopo@aol.com

NEW HAMPSHIRE

Young's Maritime Services, LLC

311 Pickpocket Rd
East Wakefield, NH 03630
(603) 312-4237
info@youngsmaritimeservices.com
www.youngsmaritimeservices.com

NEW YORK

Brewer Yacht Yard

at Greenport Inc.
500 Beach Rd.
Greenport 11944
(631) 871-2588
qruii@aol.com

CapCompass

27 The Commons
Greenport 14072
(716) 523-7192
CapCompass@roadrunner.com
www.CapCompass.com

North Sea Navigator

9 Logan Hill Rd.
Northport 11768
(631) 757-7169
cjacob31@optonline.net
www.northseanavigatorinc.com

NORTH CAROLINA

Holden Navigation

41 Jordan Drive
Belhaven 27810
(252) 964-2436
hold@gotricounty.com

Island Compass South – Charlotte

505 Little Cove Lane
Lake Wylie, SC 29710
(888) 269-3810
(803) 810-0246
compassfix@islandcompass.com
www.islandcompass.com

Ship Creek Boat Works

346 Scotts Hill Loop Rd.
Wilmington 28411
(910) 686-3975
shipcreekboatworks@hotmail.com

OHIO

Ford-Smith Associates

6870 Kepler Rd.
Clinton 44216
(330) 882-4441
(330) 338-4717
FcruzanOn@aol.com

OREGON

Mark Anderson, Compass Adjuster

3006 NE Everett St.
Portland 97232-3251
(503) 720-6184
Fax (503) 345-0944
msa-adjuster@clear.net
www.TheCompassAdjuster.com

RHODE ISLAND

East Bay Compass Service

128 Church Pond Drive
Tiverton 02878
(401) 625-2424
ebcs@cox.net

Hempstead Navigation Service, LLC

296 William Reynolds Rd.
P.O. Box 123
Exeter 02822
(401) 294-9310
hempnva@aol.com

Richardson Instruments

94 Herbert Street
East Greenwich 02818
(401) 885-3788
drichardson@aol.com

TEXAS

Land Sea & Sky Unlimited

1927A Richmond Ave.
Houston 77098
(713) 529-3551
repairs@lssstr.com
www.lssstr.com

Marine & Industrial Specialties, Inc.

10 Ash St.
P.O. Box 831
Freeport 77541
(979) 233-0181
rgroes@sbjglobal.net

VERMONT

Bill Austin Marine Services

1933 So. Hill Rd.
Ludlow 05149
(802) 228-7710
snecs@aol.com

VIRGINIA

R.Smola Company

10231 Warwick Blvd.
Newport News 23601
(757) 596-6900

W.T. Brownley Company

523 W. 24th St.
Suite 13D
Norfolk 23517
(757) 622-7589
chartagent@aol.com

WASHINGTON

Eknes Instrument

6231 4th Ave. NW
Seattle 98107
(206) 783-3303
compassman98107@yahoo.com

Continued from page 31

WASHINGTON

Island Marine Instrument Co, Inc.
2214 Broadway
Everett 98201
(888) 539-2757
Fax (425) 258-4120
cdcompass@islandmarineinst.com
www.islandmarineinst.com

CARIBBEAN

TRINIDAD WEST INDIES

Marine Consultants (Trinidad) Limited
43 Charles St.
Port of Spain
(868) 625-1309
mcl@mcl.co.tt
www.mcl.co.tt

ST. THOMAS

Davis Murray Compass Adjusting & Repair
6501 Red Hook Plaza
Suite 201
St Thomas, VI 00802
(340) 244-0627
splinterbeach@hotmail.com

AUSTRALIA

BLA
131 Rivergate Place
Murarrie, Queensland 4172
61 (7) 3907 5500
Fax 61 (7) 3907 5599
service@bla.com.au
www.bla.com.au

CANADA

BRITISH COLUMBIA

The Compass Shop
Coquitlam, Delta, Campbell River
(604) 202-4531
service@thecompassshop.ca
www.thecompassshop.ca

NEW BRUNSWICK

Maritime Compass
468 White Head Rd.
White Head Island
E5G 1K9
(506) 662-5829
navigate@fundybaynetworks.com

ONTARIO

Brewers Marine Supply
65 Guise St. E
Hamilton L8L 8B4
(905) 529-4114
robin@brewersmarine.com
www.brewersmarine.com

Ontario Compass
P.O. Box 510007
City Centre Postal Outlet
Brampton L6T 5M2
(416) 903-6153
Fax (905) 455-7543
ontariocompass@ica.net

QUEBEC

Raytech Electronique
1451 Laurentides
Laval H7M 2Y3
(450) 975-1015
raytech@raytech.ca
www.raytech.ca

FINLAND

Oy Maritim Ab
P.O. Box 46
Veneentekijantie 1
00210 Helsinki
+358 207 65180
www.maritim.fi

FRANCE

Euromarine
2599 Route De La Fenerie
06580 Pegomas
Phone: +33(0)4 93 90 47 06
Fax: +33(0)4 93 90 47 11
www.euromarine.fr

GERMANY

ZN-Technik
Dipl.-Ing. Rolf Paulzen
Hirtengeweg 15
D-85375 Neufahrn bei Munchen
+49-8165-939366
+49-172-9000910
Fax +49-8165-939368
paulzen@zn-technik.de

GREECE

Alex Marine
5 Leocharous St.
18531 Piraeus
+30 (210) 4129539
alexmarine@otenet.gr

ITALY

Svama Nautica SRL
Via Beneficio Il Tronco 57/B
48015 Montaletto di Cervia (RA)
+39/544/965689
svama-nautica@svama-nautica.com
http://www.svama-nautica.com

UFLEX SRL

Via Milite Ignoto, 8A
16012 Busalla (GE)
+39 010 9620 300
Fax +39 010 9620 333
avigor@ultraflexgroup.it
www.ultraflexgroup.it

JAPAN

Royal Industries, Co. Ltd.
3-4-15 Toyoda,
Minami-Ku, NAGOYA
457-0841
+81 (52) 731-4789
FAX +81 (52) 731-4784
marine@royal-kk.co.jp

MALTA

International Marine Center Ltd.
Testaferrata Street, Ta'Xbiex XBX 1405
Malta - EUROPE
(+356) 2133 2747
Fax (+356) 2134 3871
info@imc.com.mt
www.imc.com.mt

NETHERLANDS

Datema Delfzijl BV
Zeelusluzen 8
9936 HX Delfzijl
+31 (596) 635 252
rob@datema.nl
www.datema.nl

NEW ZEALAND

Compass & Sextant Specialists
52A Bayswater Ave
Bayswater
+64 (9) 445-3336
dschafer@xtra.co.nz

NORWAY

Telmo Control A/S
Industriveien 1
N-2020 Skedsmokoret
+47 66926500
steinar.pettersen@telmo.no

RUSSIA

Czar Trade House
42 Kastanovskaya Str.,
121108, Moscow, Russia
+7 499-730-55-00
inf@czar.ru
stanislav@czar.ru
www.czar.ru

SINGAPORE

Tan Ban Yau Machinery Pte Ltd
No 1, Kim Chuan Lane
Singapore 537068
+65 (6288) 3225
daveedtan@tanbanyau.com
www.tanbanyau.com

SOUTH AFRICA

Cape Town Regions Magnetic Compass Service
"Compassman" Compass Adjusters
26 Rocklands Rd, Murdoch Valley
Simon's Town
Phone: +27 21 7862190
084393 3304
gusmos@mweb.co.za
Find me on "Hotfrog"

SWITZERLAND

Bucher + Walt SA
Route de Soleure 8
CH-2072 Saint-Blaise
+41 (32) 7559500
fzehnder@bucher-walt.ch
www.bucher-walt.ch

UNITED KINGDOM

ENGLAND
BPSC Marine Services
16 Penschurst Way
Boyatt Wood, Eastleigh
Hampshire SO50 4RJ
+44 (07710) 092885
barry.phillips2@ntlworld.com

SCOTLAND

Thomas Gunn Navigation Services
62 Regent Quay
Aberdeen
Aberdeenshire AB11 5AR
+44 (1224) 595045
info@thomasgunn.com

VENEZUELA

Maritime Electronics Technologies, C.A.
Av. Tajamar, Sector El Paraíso
Marina Bahía Redonda, Local 10
Puerto La Cruz, Anzoategui
(+58)-281-267.86.83
Fax (+58)-281-263.57.05

RITCHIE[®] NAVIGATION

E.S. Ritchie & Sons, Inc.
243 Oak Street
P.O. Box 548
Pembroke, MA 02359
Telephone: (781) 826-5131
Fax: (781) 826-7336
E-mail: sales@ritchienavigation.com
Website: www.ritchienavigation.com

Europe

I.M.D.S. (UK office)
Unit 11 Fernacre Business Ctr.
Budbs Lane
Romsey, Hampshire UK S051 OHA
Ph: 44 1794 523255
Fax: 44 1794 523277
E-mail: tony@rshaw.co.uk
Contact: Tony Robertshaw

I.M.D.S. (European Office)

P.O. Box 69
NL-8250 AB Dronten
Holland
Telephone: 31 321 337062
Fax: 31 321 381640
E-mail: info@imds.org
Contact: Rene Kemperman

Caribbean, Mexico, Latin/South America Sales E & P Marine

2425 NW 33rd Avenue
Miami, FL 33142
Telephone: (305) 634-6110
Fax: (305) 634-1191
E-mail: info@epmarine.com
Contact: Larry Correa

Asia/Pacific Rim, Africa, Middle East

Brunger Export INC.
4901 NW 17th Way - 600
Fort Lauderdale, FL 33309
Telephone: (954) 928-1245
Fax: (954) 928-1644
Email: info@brungerexport.com

WARRANTY

We warrant all Ritchie instruments to be free of defects in workmanship or materials. If a Ritchie magnetic compass has a manufacturing defect within five years of purchase date, it will be repaired or replaced without charge. This warranty does not cover breakage through accident or misuse. Replacement or repair will be made if the instrument is returned prepaid to a Ritchie Service Station or directly to:

E.S. Ritchie & Sons, Inc.
243 Oak Street
P.O. Box 548
Pembroke, MA 02359

Service e-mail: service@ritchienavigation.com

For up-to-date service station information visit our website at www.ritchienavigation.com

For more information or to download Ritchie's Complete Guide to Compass Navigation, visit:
www.ritchienavigation.com

Prices and specifications subject to change without notice.

Printed in U.S.A.